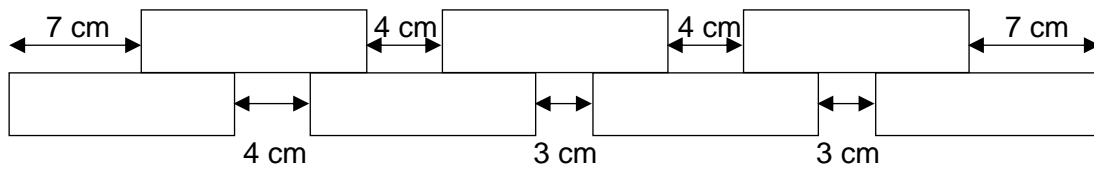


A Maths Question, PSLE 2019

In the figure, there are 7 identical rectangles. Find the length of 1 rectangle.



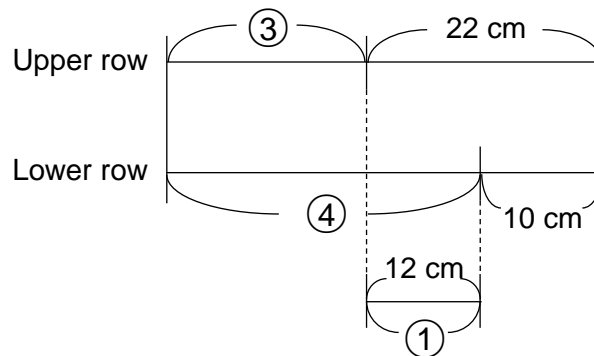
<< Let's use the G.R.! >>

<G.R.>

Let ① be the length of each rectangle.

Upper row	Lower row
③	④
+ 22 cm	+ 10 cm
-----	
1	: 1

<Diagram>



<Writing>

$$7 + 4 + 4 + 7 = 22 \text{ (cm)}$$

$$4 + 3 + 3 = 10 \text{ (cm)}$$

$$(22 - 10) \div (④ - ③) = 12 \text{ (cm)} \quad \rightarrow \quad ①$$

Answer 12 cm